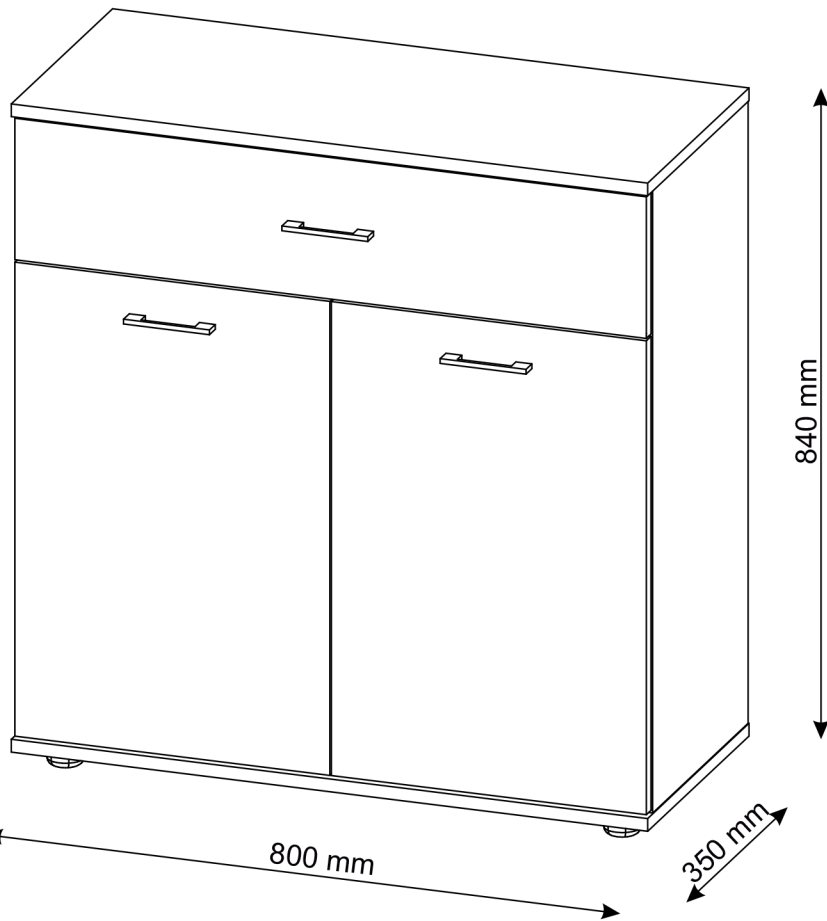
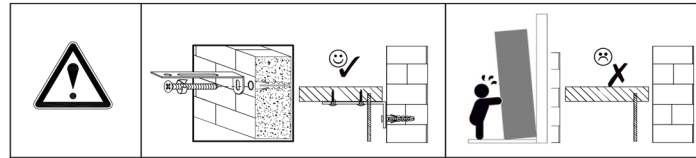
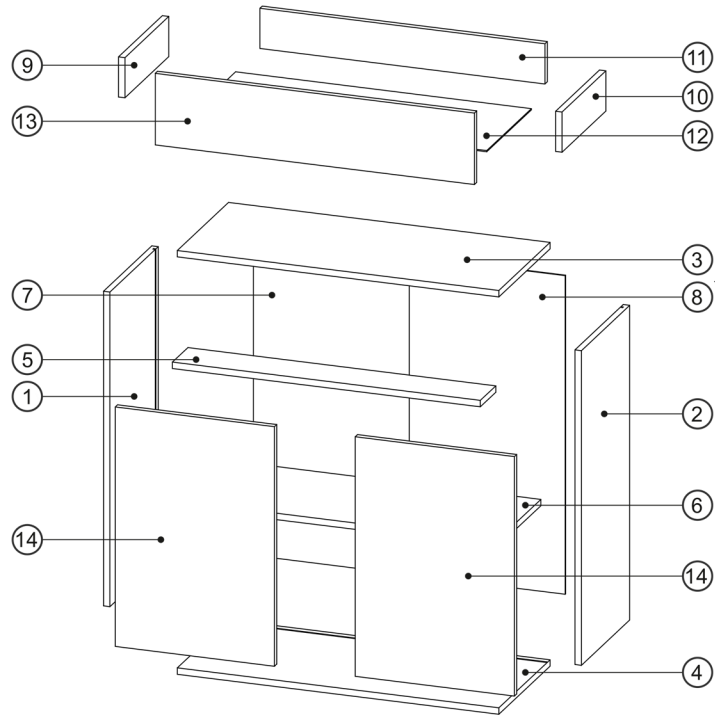


TYP_E

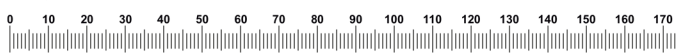
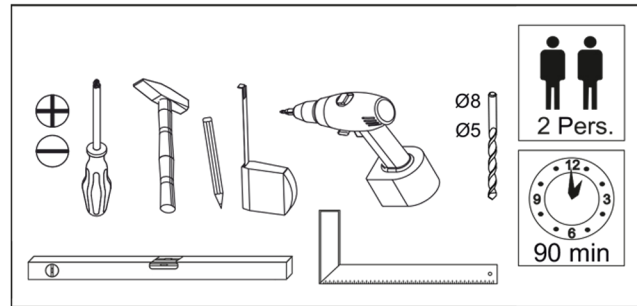
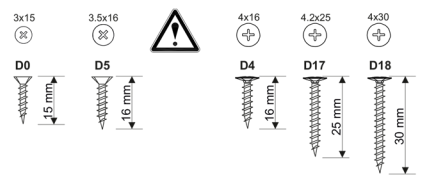
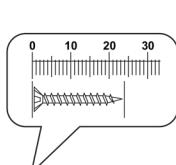
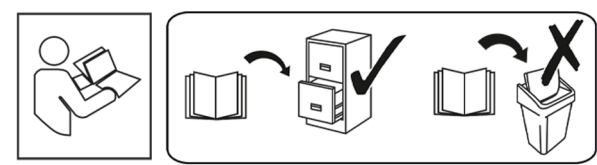


①	783	330	16 x1	1/1
②	783	330	16 x1	1/1
③	800	350	16 x1	1/1
④	800	350	16 x1	1/1
⑤	766	106	16 x1	1/1
⑥	765	300	16 x1	1/1
⑦	793	388	3 x1	1/1
⑧	793	388	3 x1	1/1

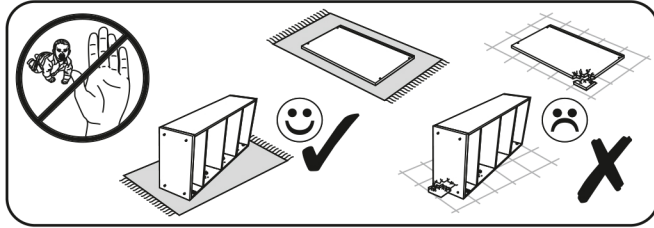
⑨	100	300	16 x1	1/1
⑩	100	300	16 x1	1/1
⑪	100	709	16 x1	1/1
⑫	736	305	3 x1	1/1
⑬	794	178	16 x1	1/1
⑭	596	396	16 x2	1/1
				1/1



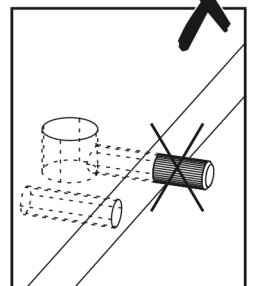
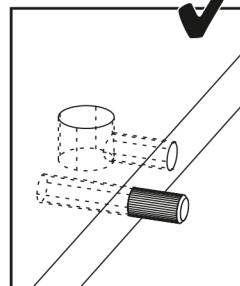
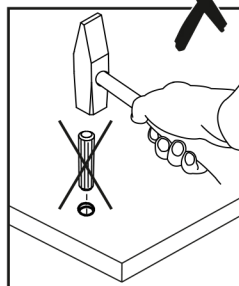
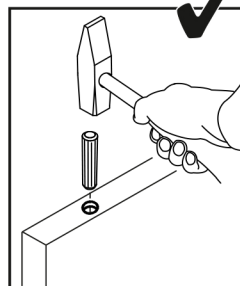
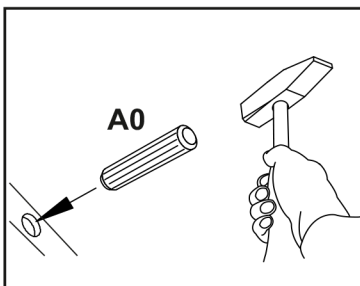
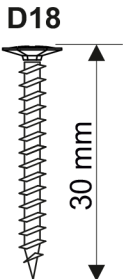
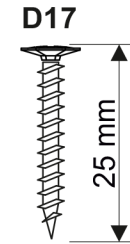
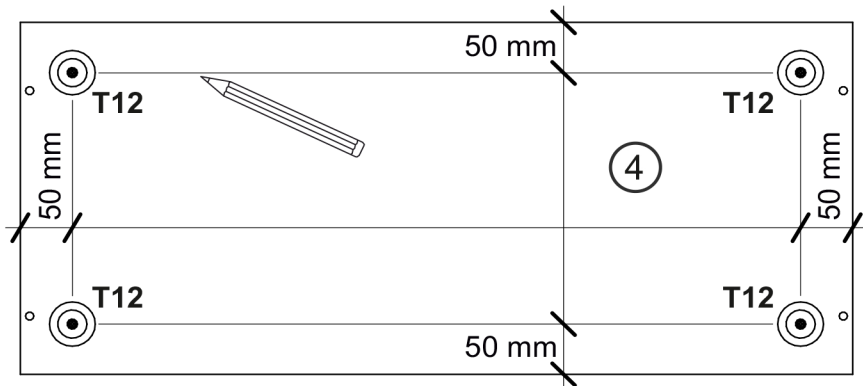
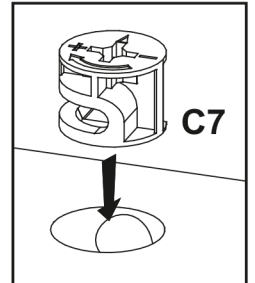
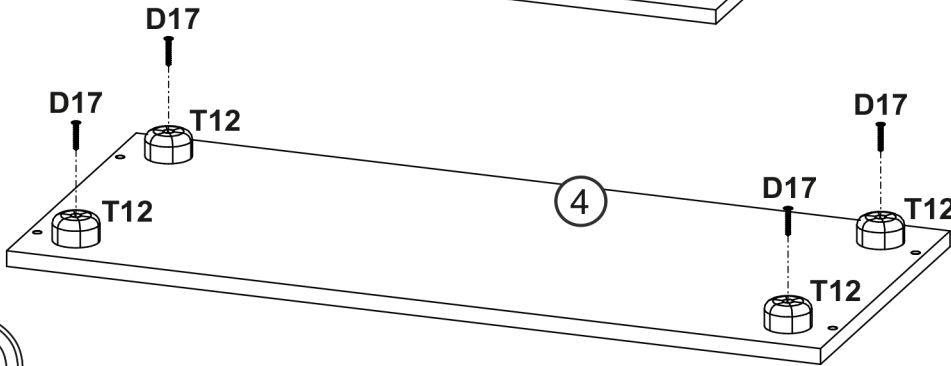
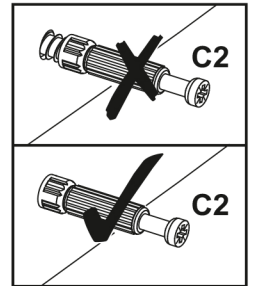
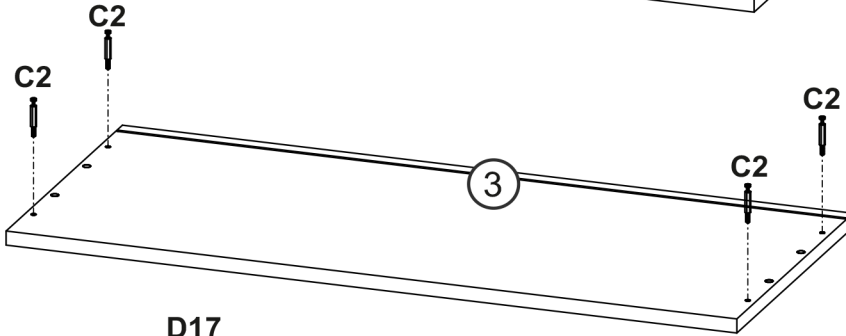
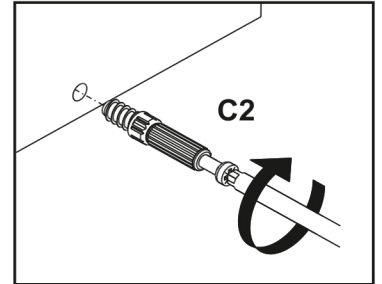
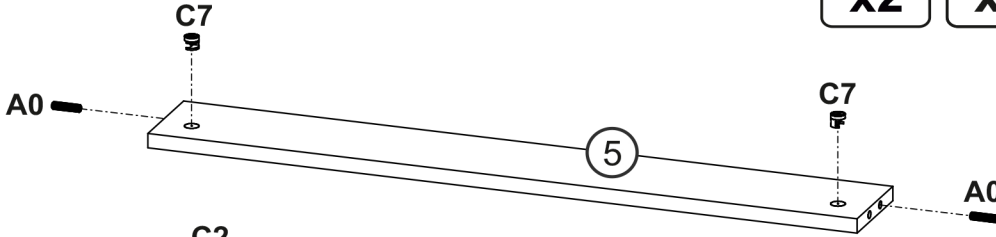
A0 Ø8x30 x14	B0 x2	B1 Ø7x50 x6	C0 x8	C2 x8	C7 16 mm x8	D0 3x15 x11	D4 3.5x16 x3	D5 3.5x16 x18	D17 4.2x25 x4	D18 4x30 x6
E0 8x50 x1	J17 x4	K 4mm x1	L13 x3	M1 x11	N1 L-300 x1	P0 x1	Q0 x4	T12 x4	U0 x4	



1

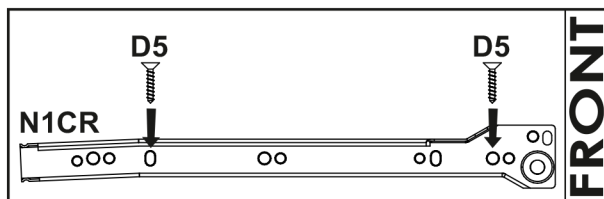
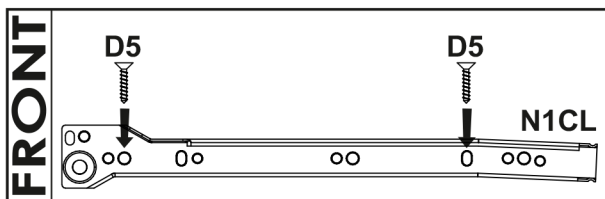
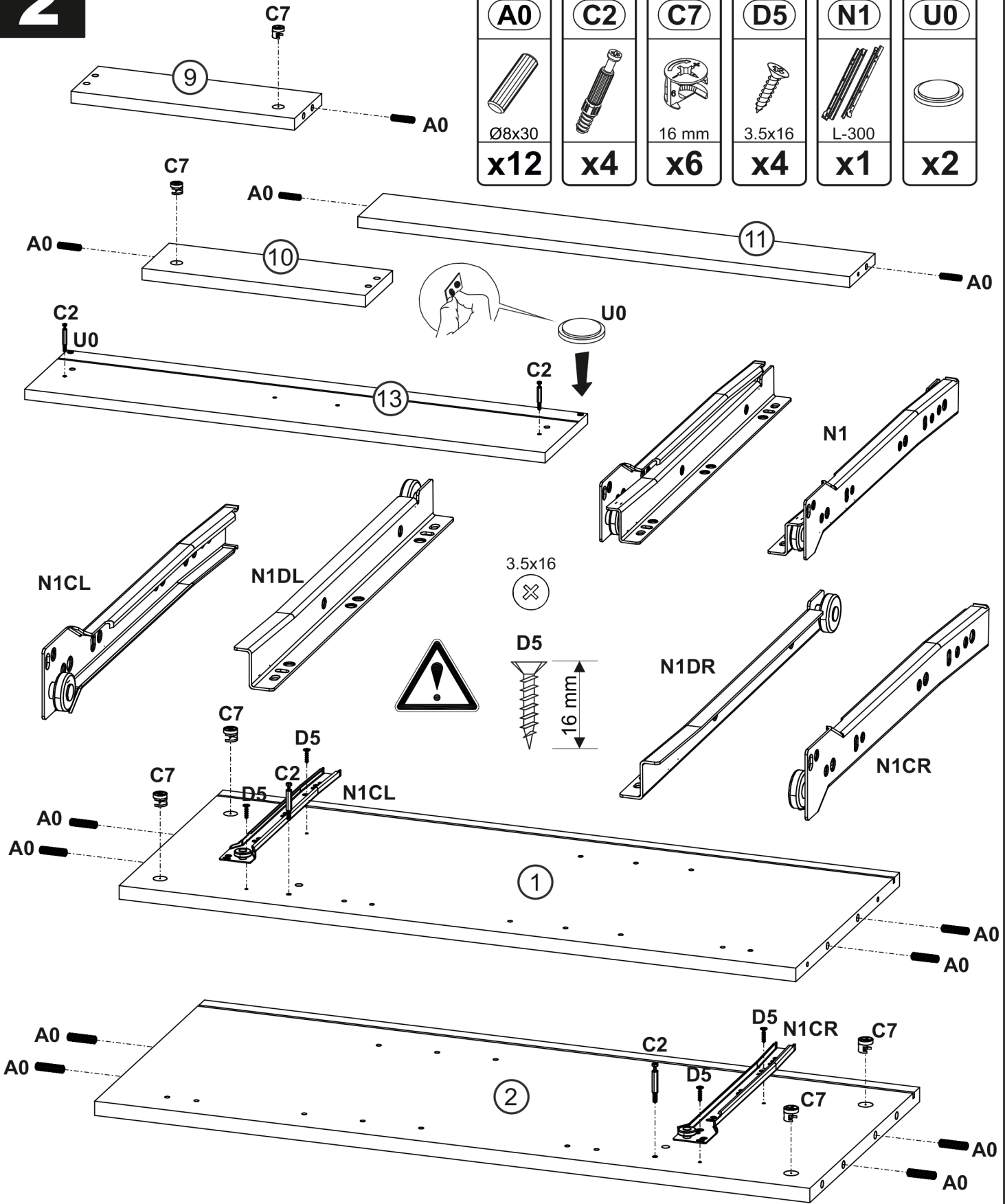


A0 Ø8x30 x2	C2 x4	C7 16 mm x2	D17 4.2x25 x4	T12 x4
-------------------------------------	----------------------------	-------------------------------------	---------------------------------------	-----------------------------

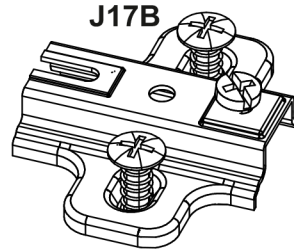
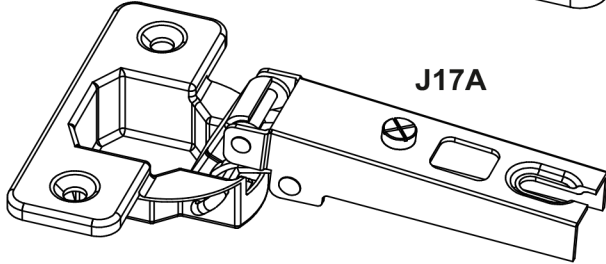
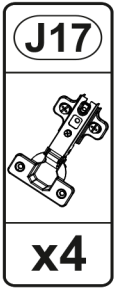
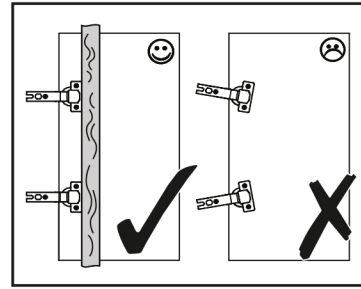
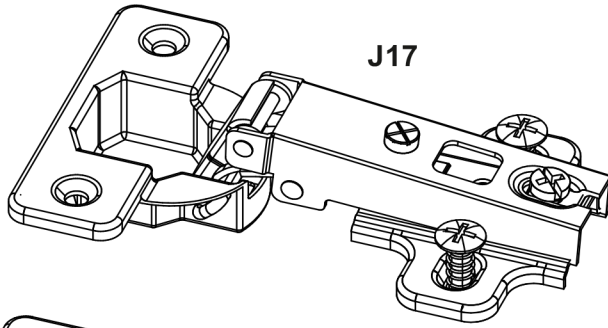


2

A0	C2	C7	D5	N1	U0
Ø8x30		16 mm	3.5x16	L-300	
x12	x4	x6	x4	x1	x2



3



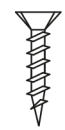
3x15



3.5x16

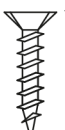


D0

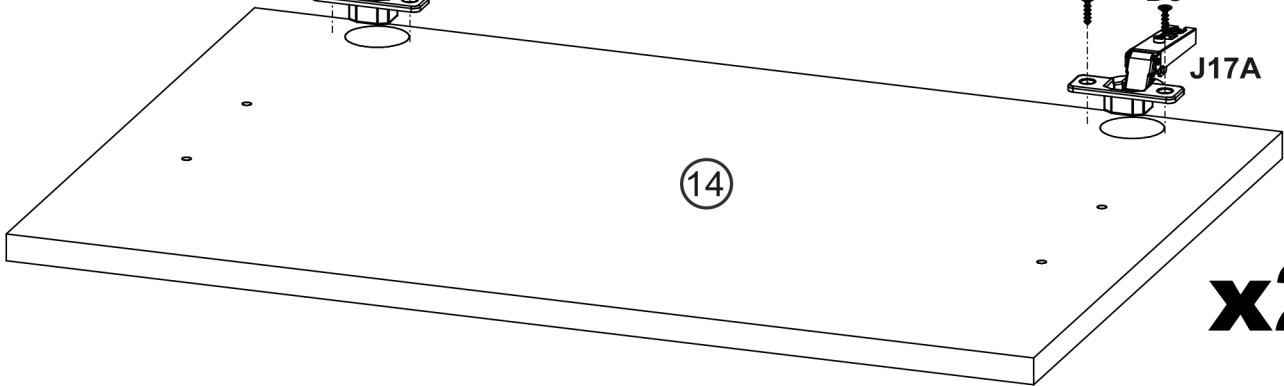
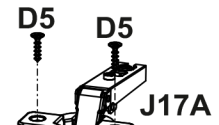
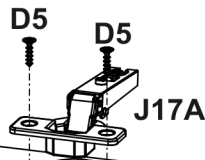


15 mm

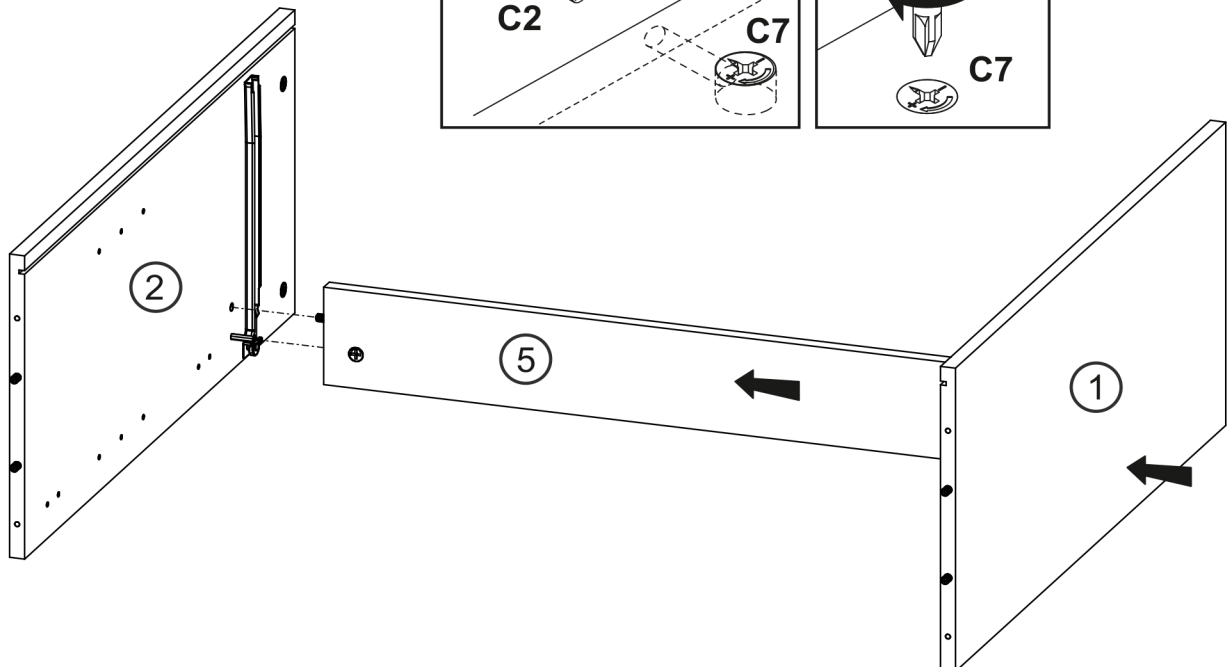
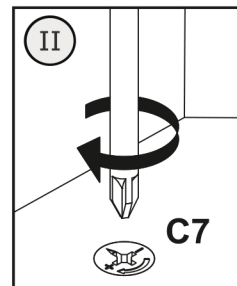
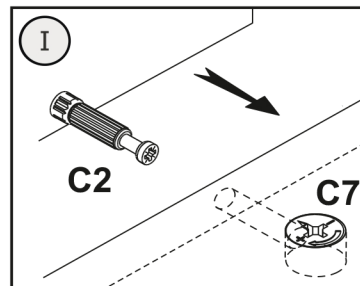
D5



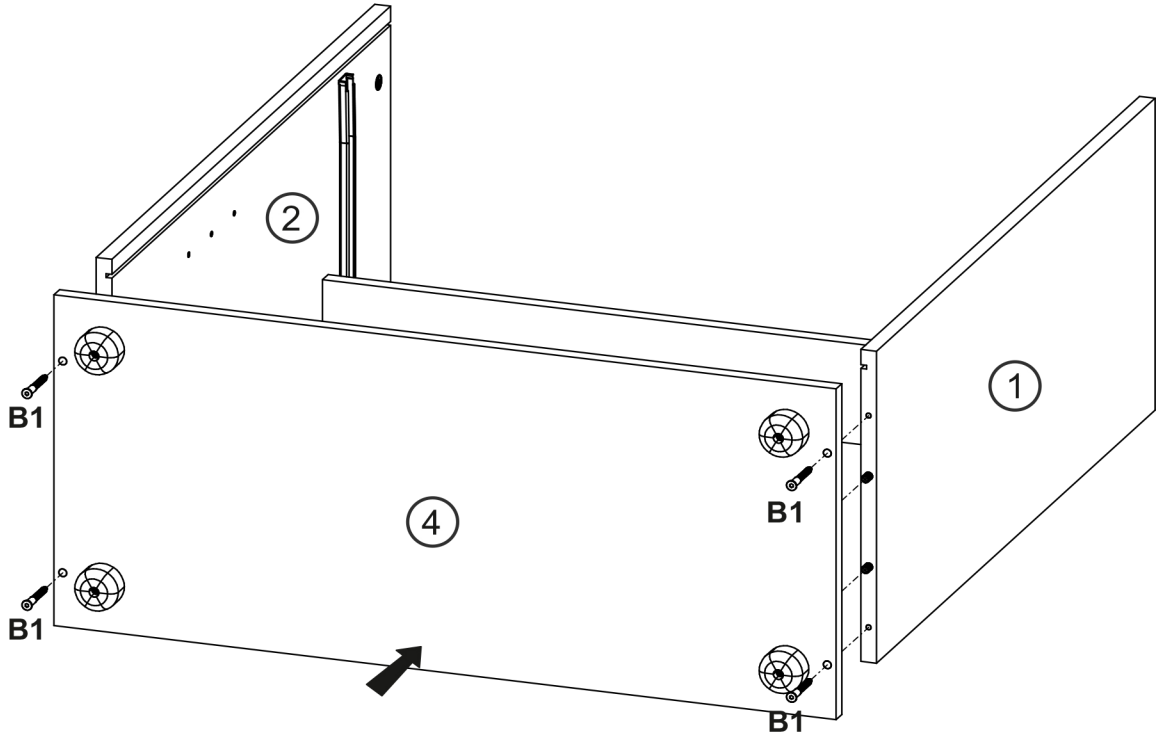
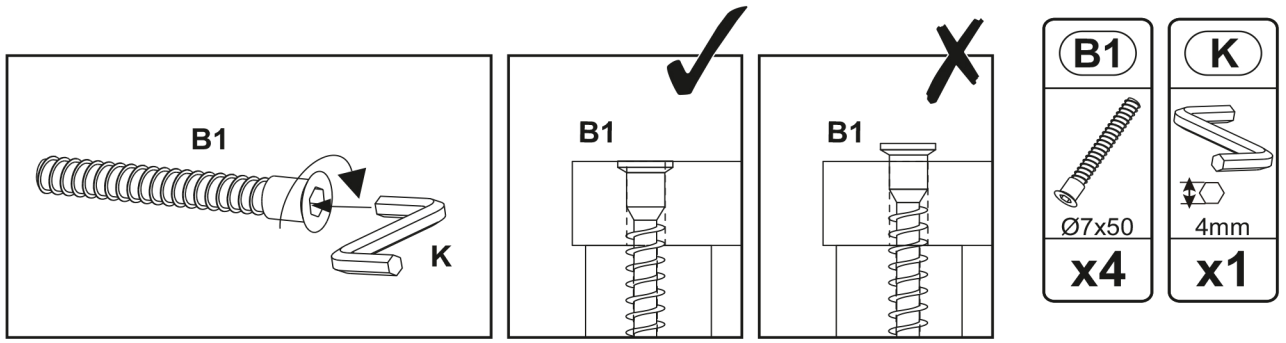
16 mm



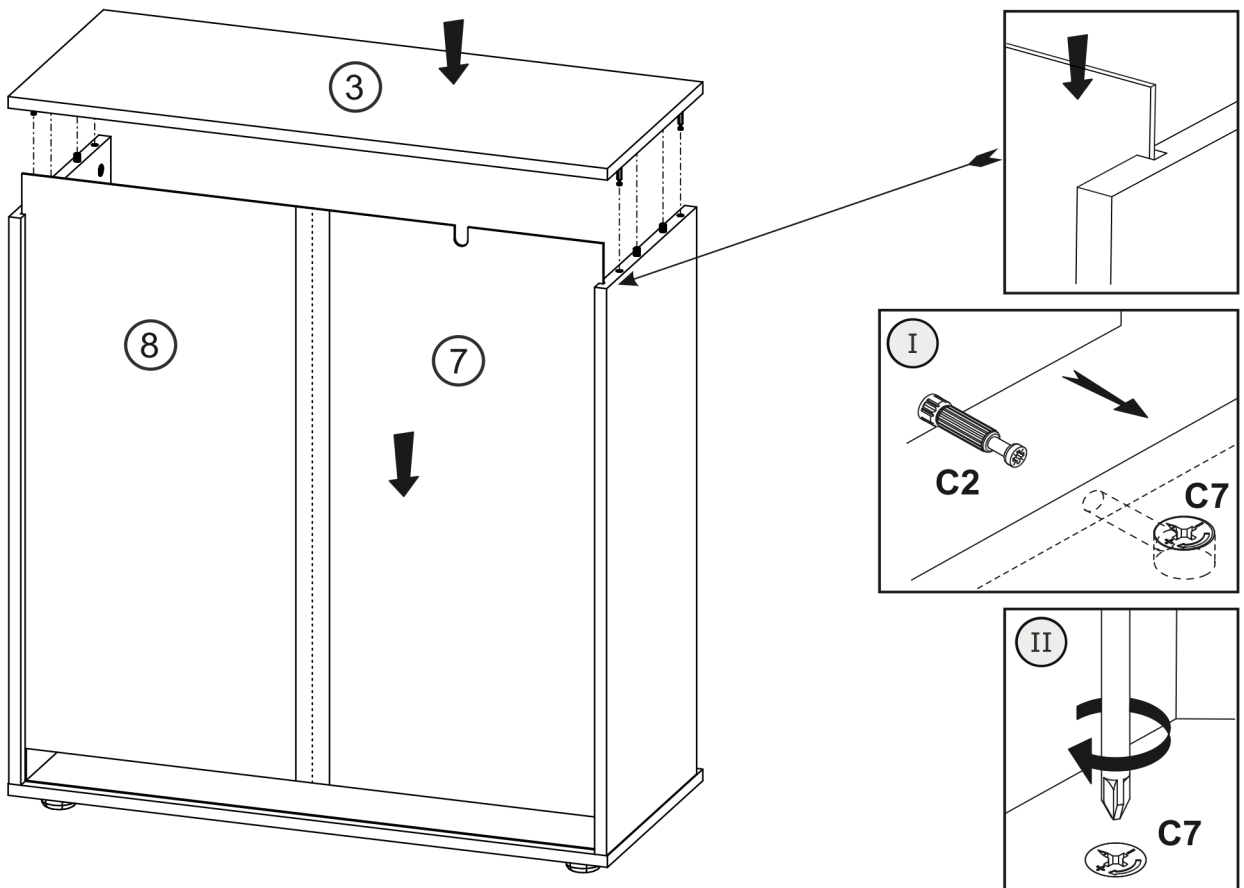
4



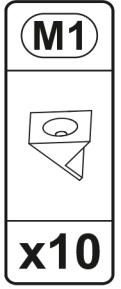
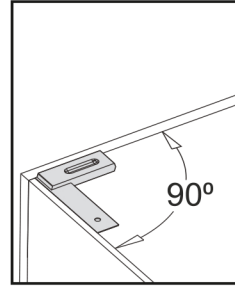
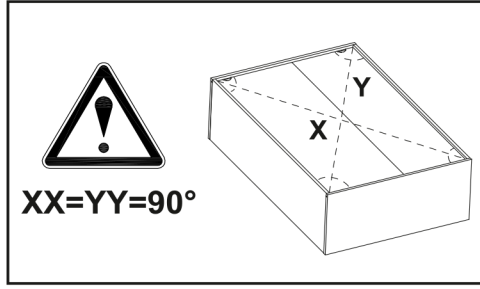
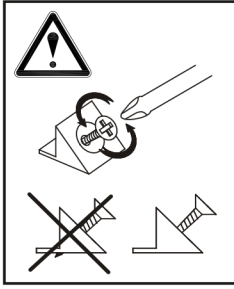
5



6



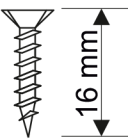
7



3.5x16



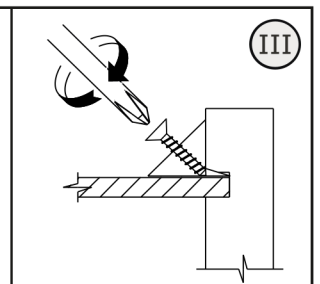
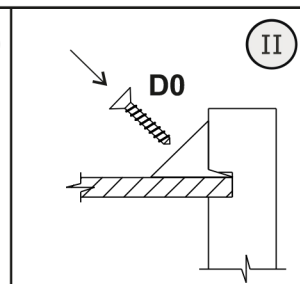
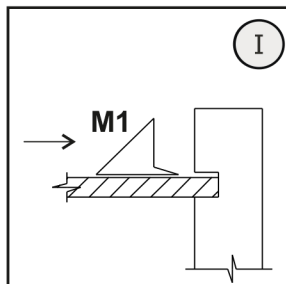
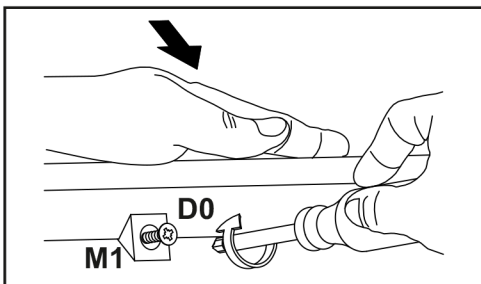
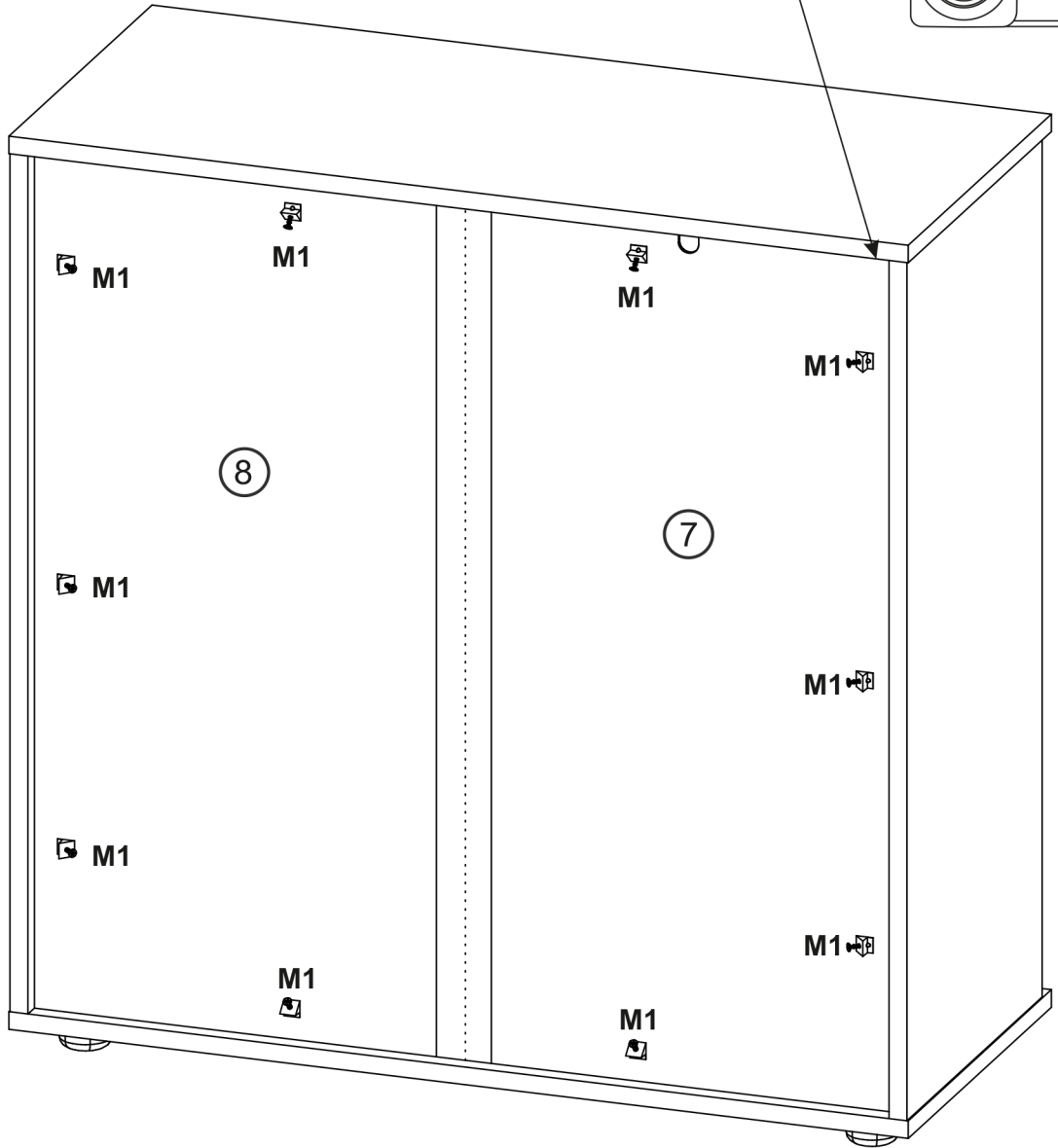
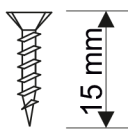
D5



3x15



D0



8

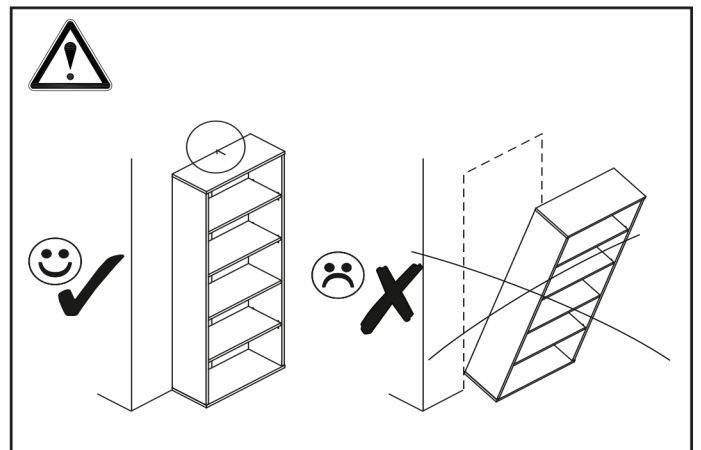
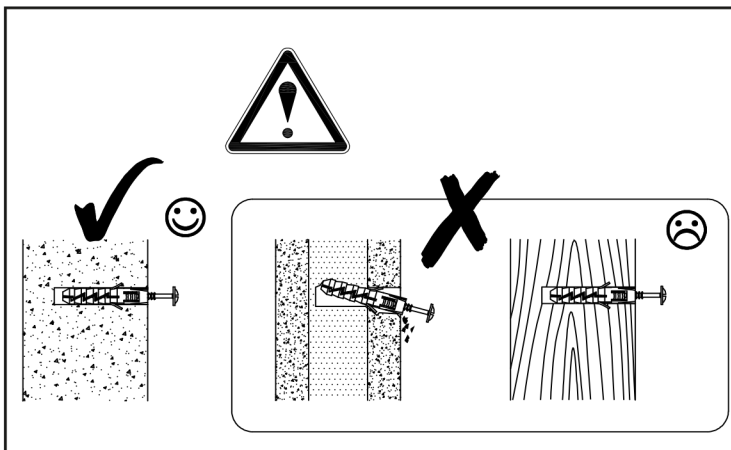
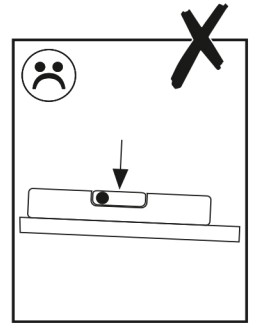
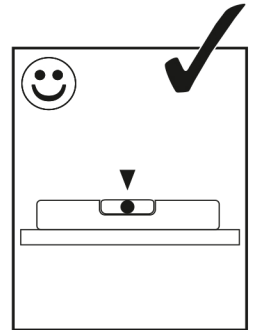
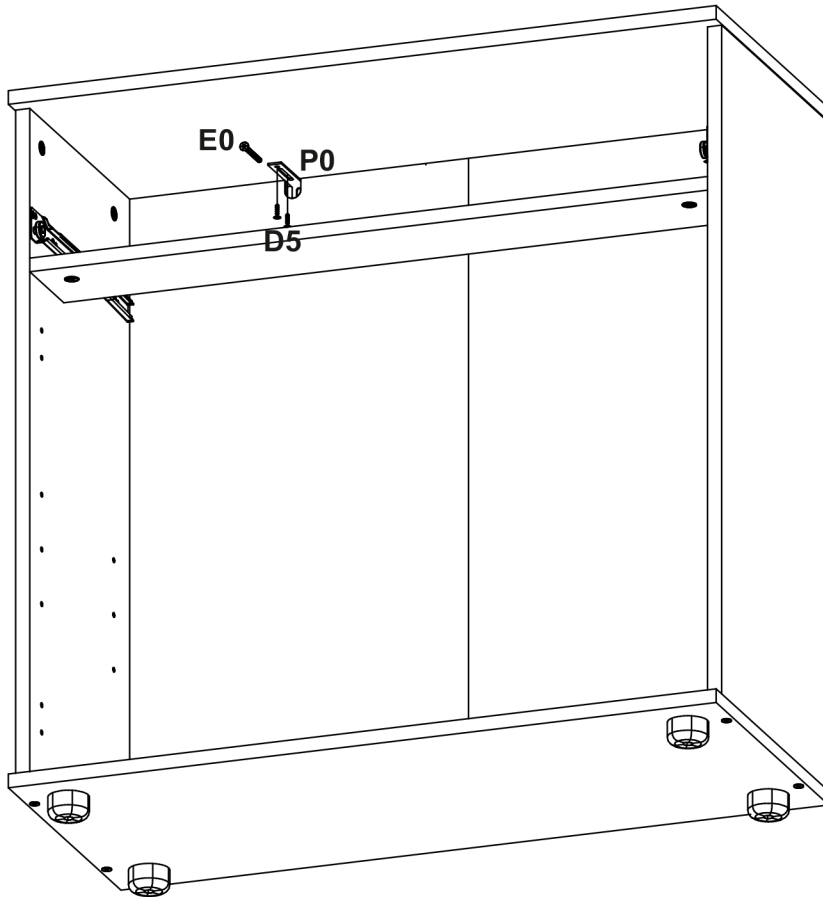
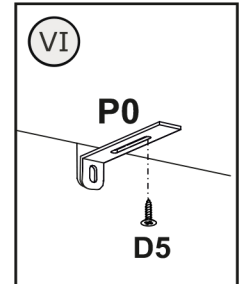
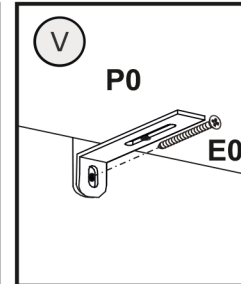
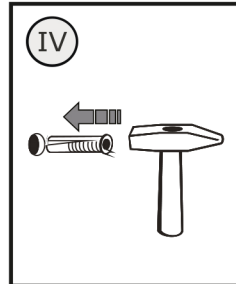
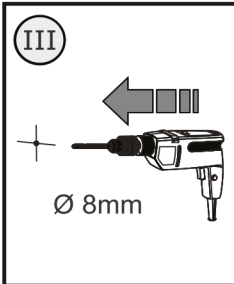
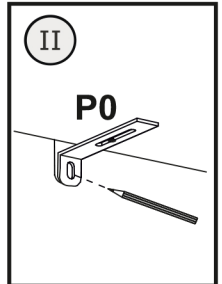
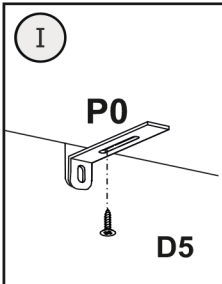
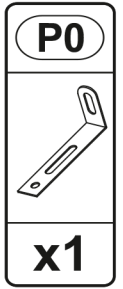
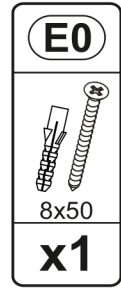
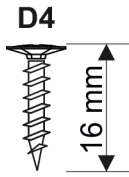
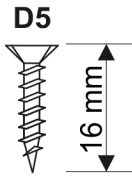
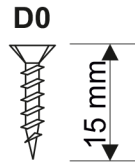
3x15



3.5x16

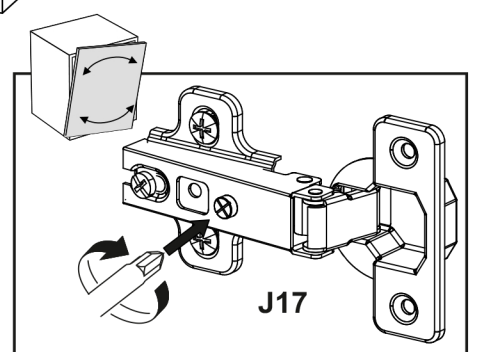
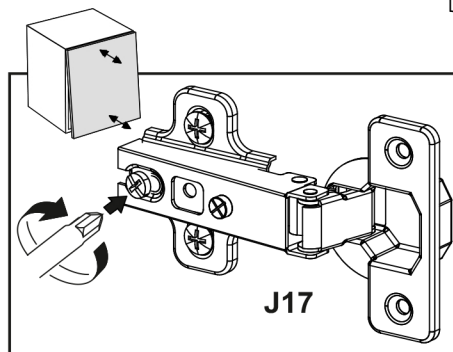
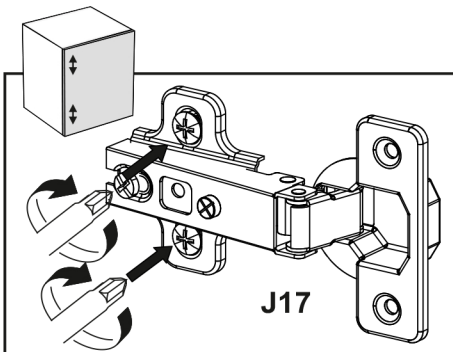
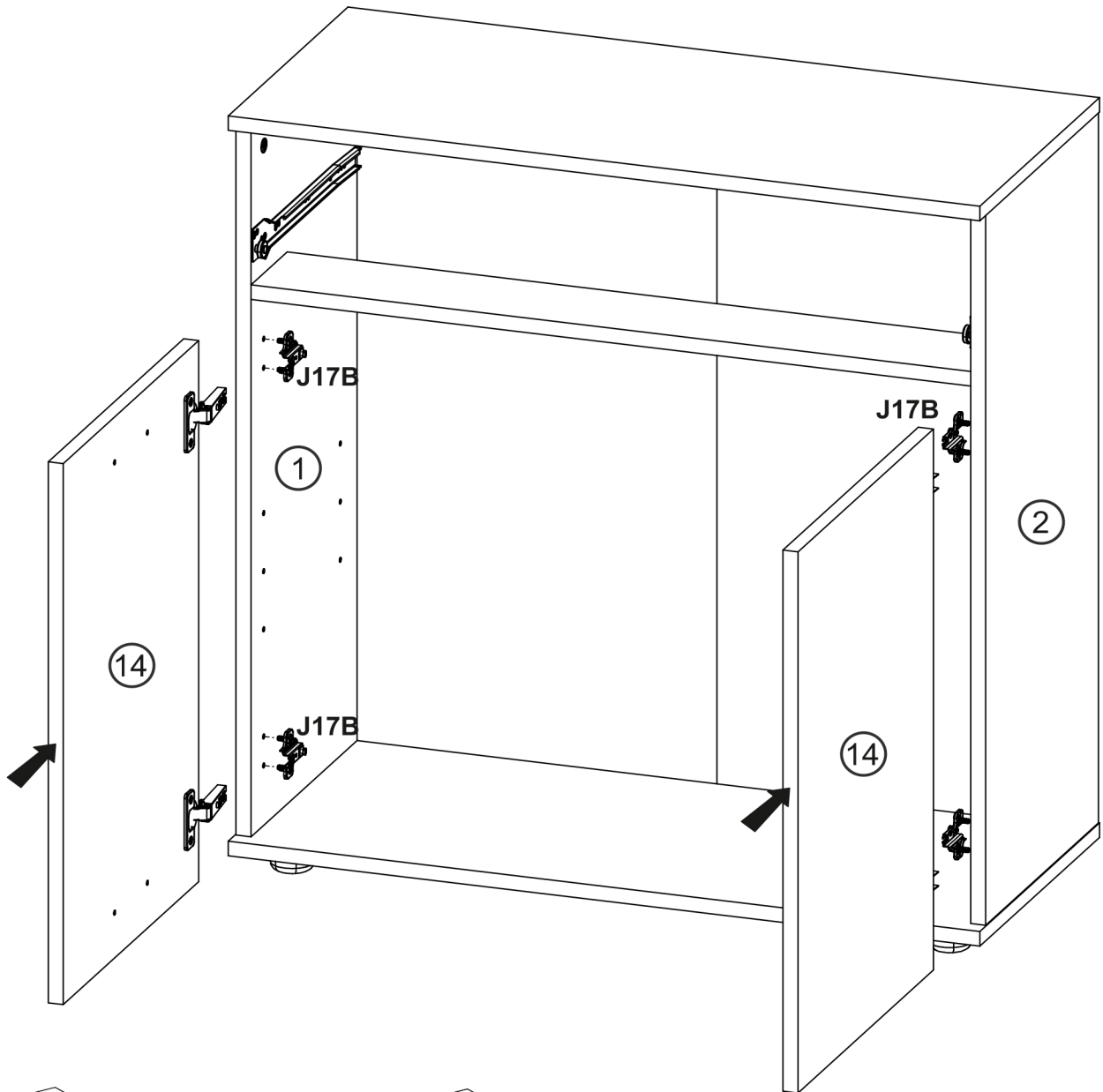
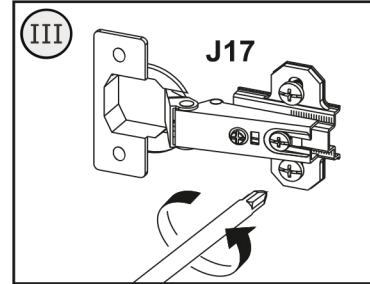
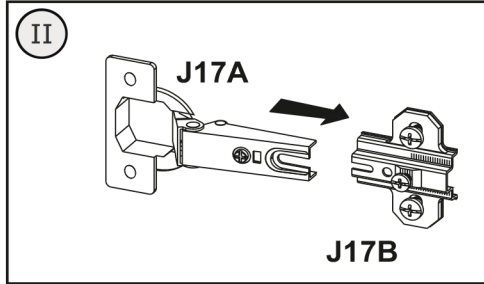
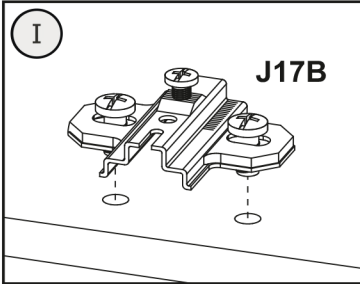


4x16





x4

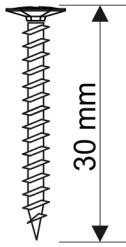


10

4x30



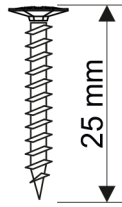
D18


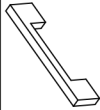
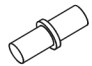



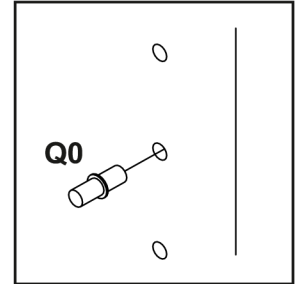
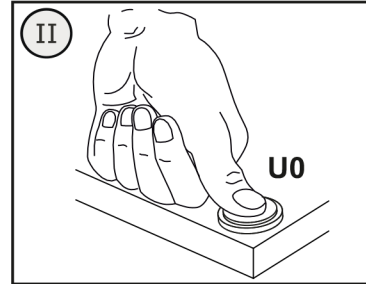
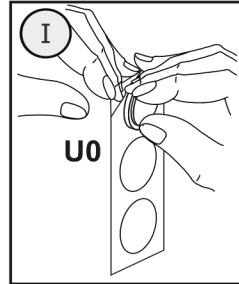
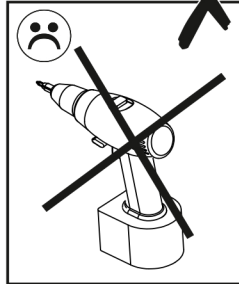
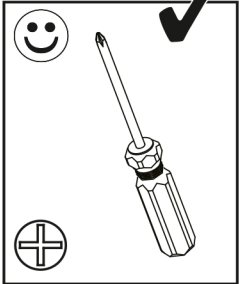
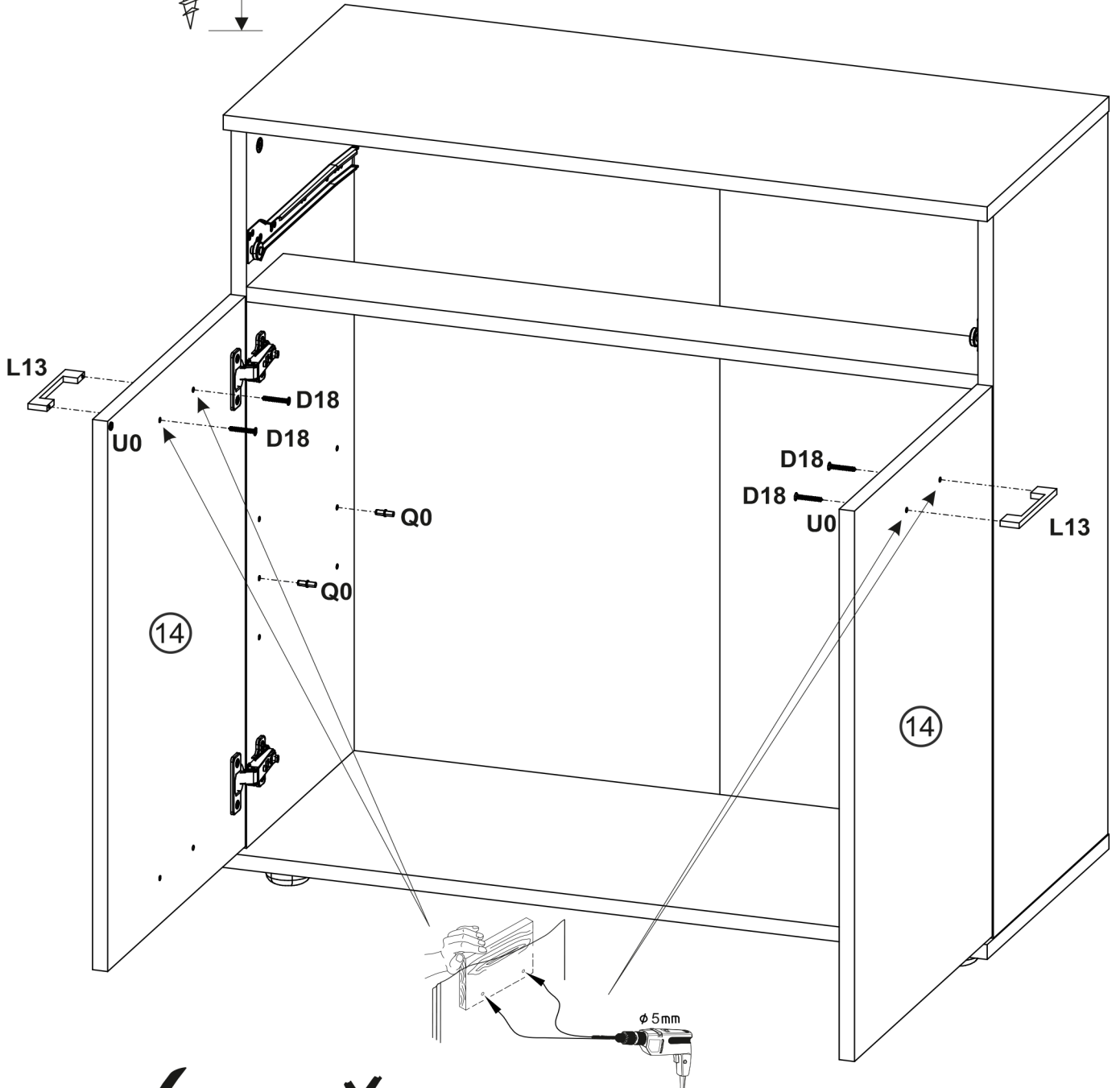
4.2x25





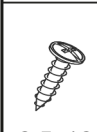


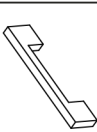
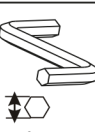


D17

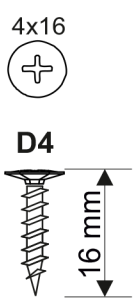
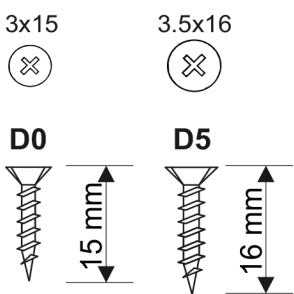
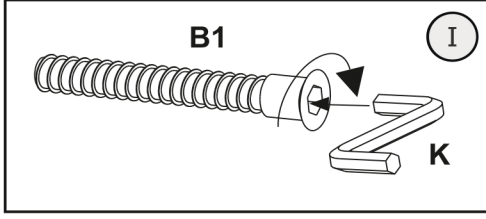
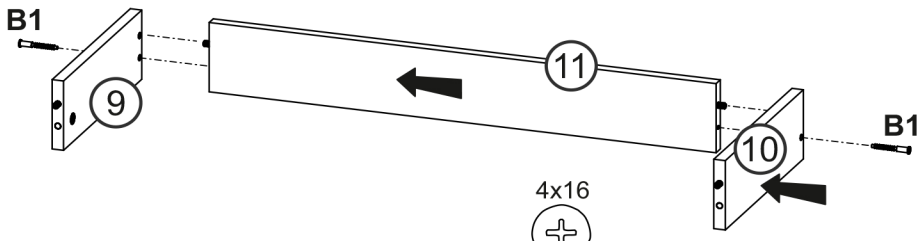


D18	L13	Q0	U0
			
4x30			
x4	x2	x4	x2

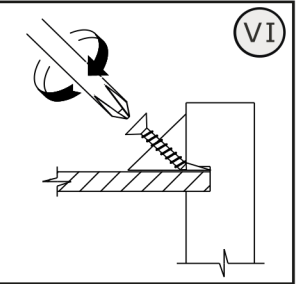
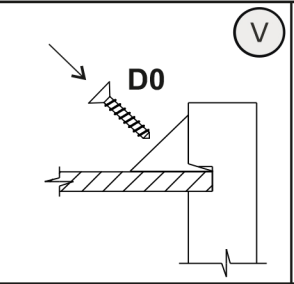
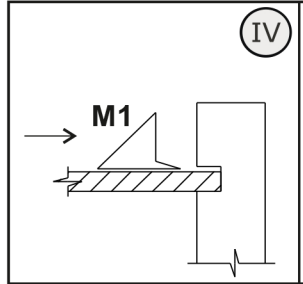
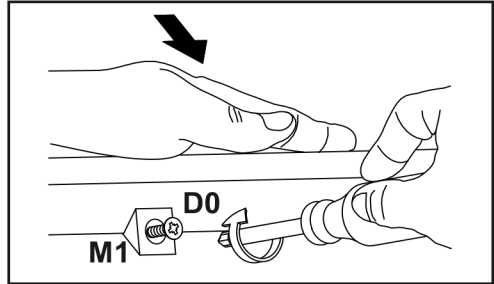
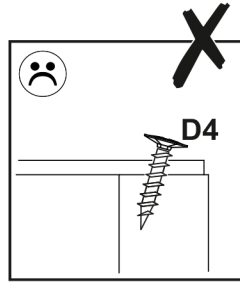
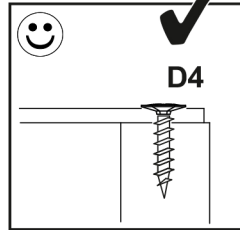
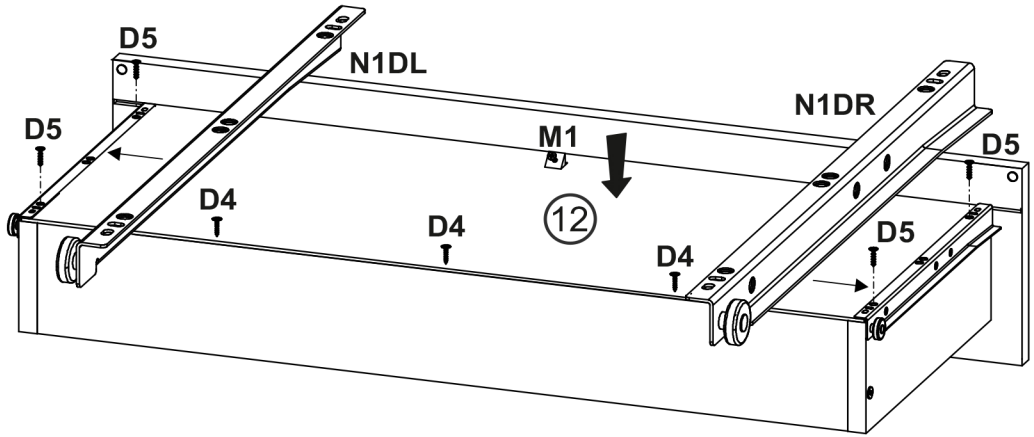
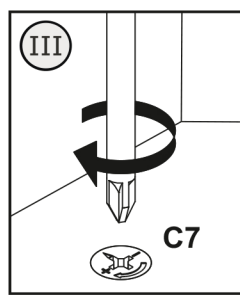
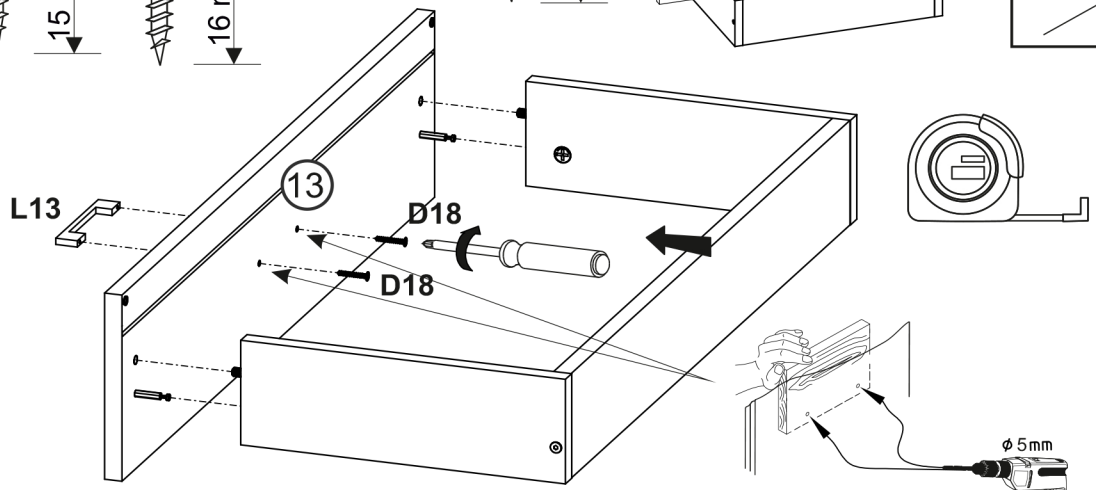
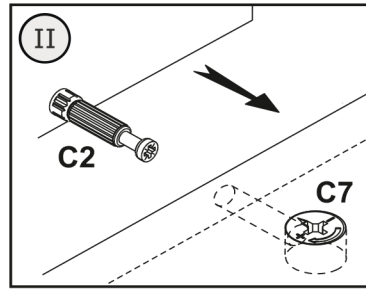
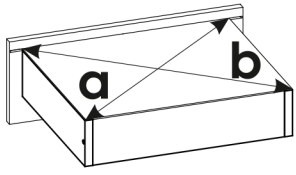


11

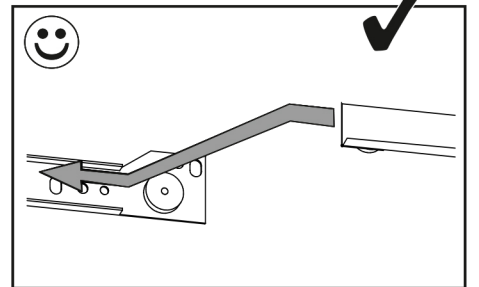
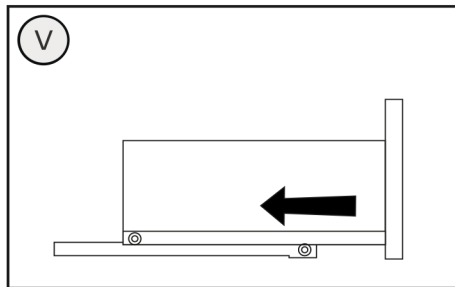
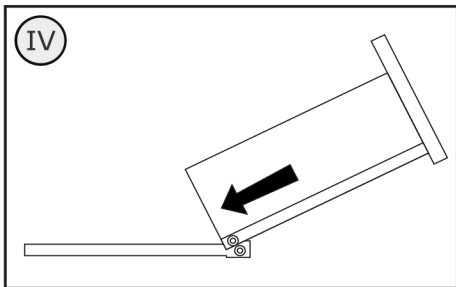
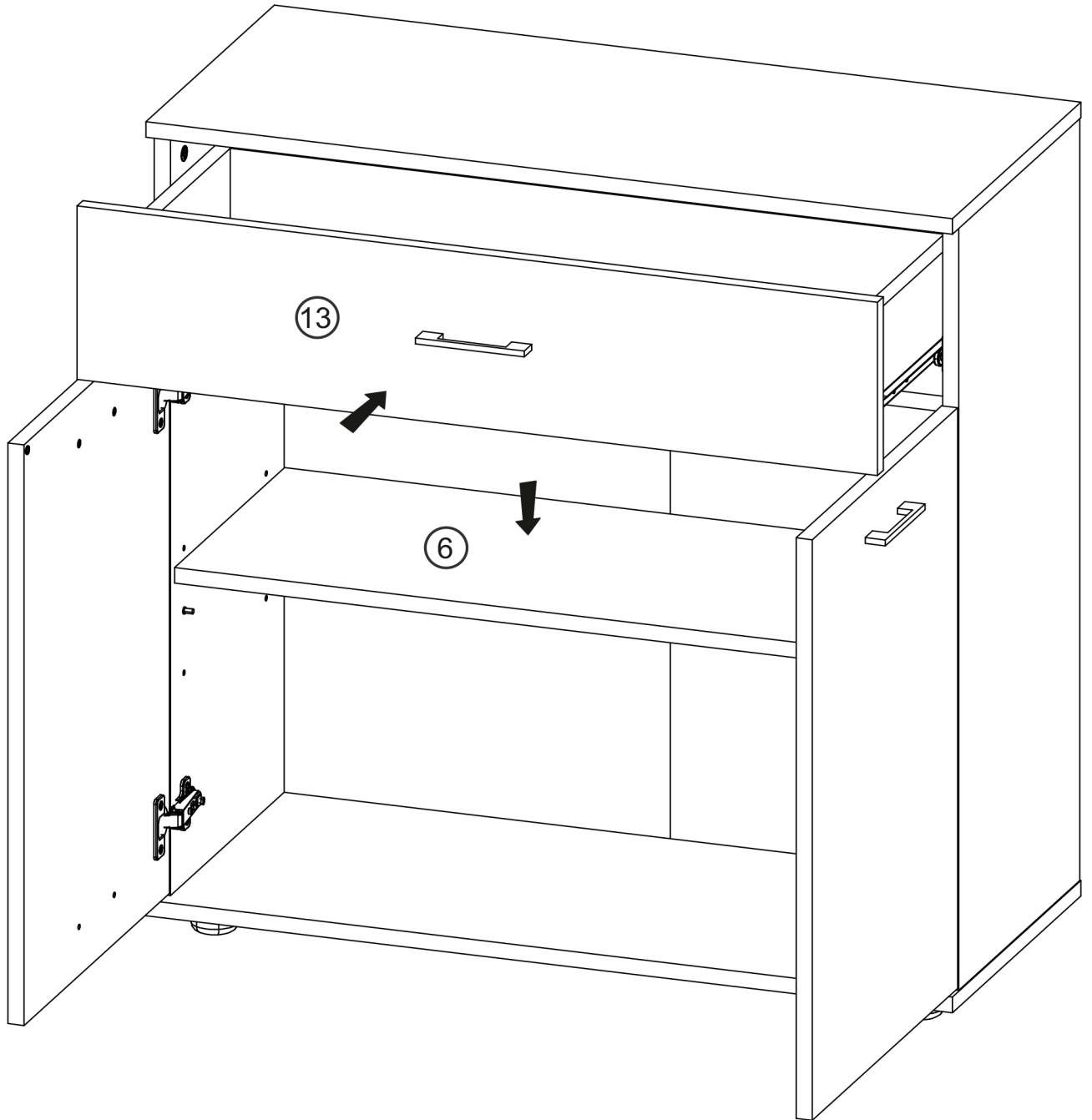
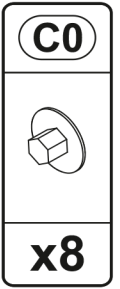
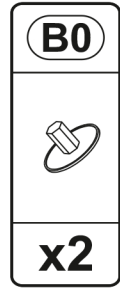
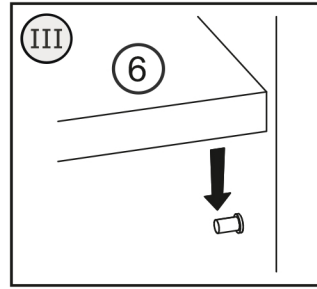
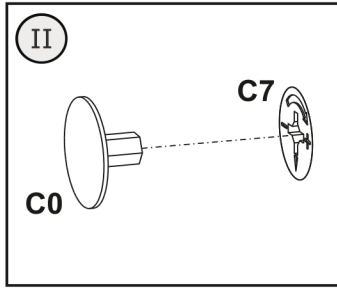
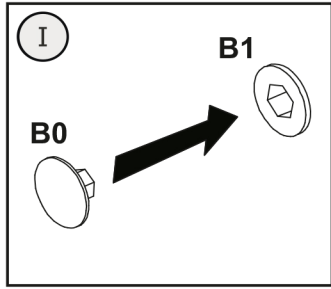
B1  Ø7x50 x2	D0  3x15 x1	D4  3.5x16 x3	D5  3.5x16 x4	D18  4x30 x2	L13  x1	K  4mm x1	M1  x1	N1  L-300 x1
--	---	---	---	---	--	---	---	--



a=b



12





 max.
5 kg

 max.
10 kg

 max.
10 kg

 max.
10 kg